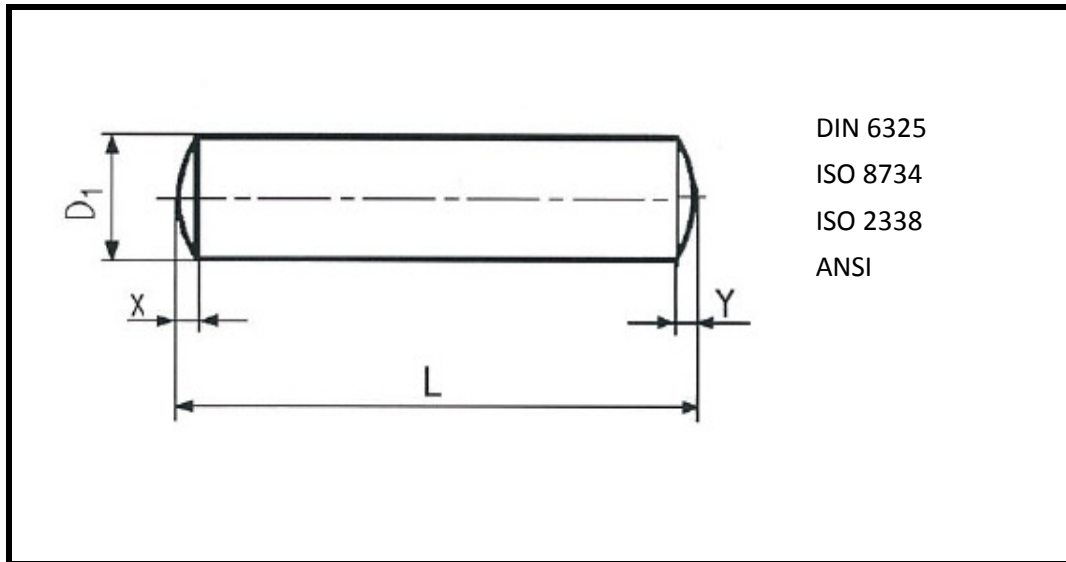


聯成五金(私人)有限公司

LIAN SENG HARDWARE PTE LTD

No.39 Gul Circle Singapore 629574

Dowel Pin



DIN 6325

unit: mm

Nominal Dia (D1)	Length (X)	Length (Y)	Length (L)
M1	0.48	0.15	4-35
M1.5	0.62	0.23	4-40
M2	0.78	0.30	4-35
M2.5	0.95	0.40	5-50
M3	1.10	0.45	4-85
M4	1.40	0.60	5-80
M5	1.70	0.75	8-80
M6	2.10	0.90	8-120
M8	2.60	1.20	10-120
M10	3.00	1.50	12-120
M12	3.80	1.80	20-120
M14	3.80	2.00	40-100
M16	4.70	2.50	30-120
M20	6.00	3.00	40-120